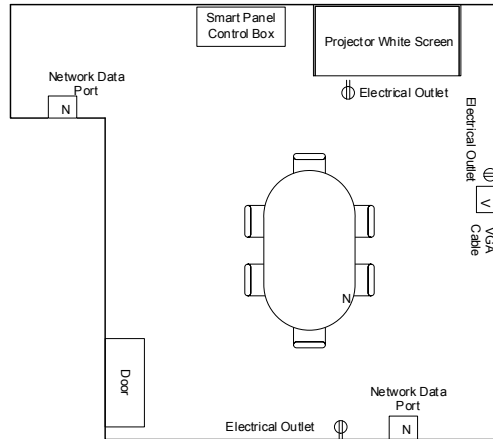


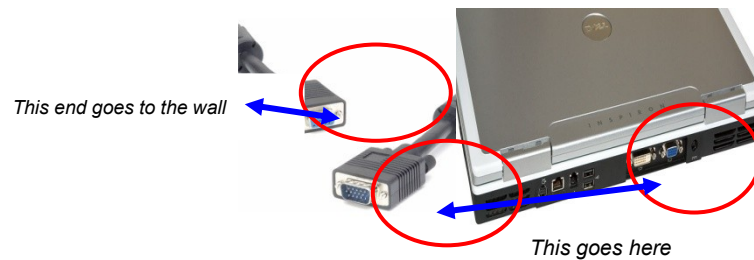
How to set up the Laptop to the Projector As Laptop Centered on the Table (For WP Conference Room 2 Use Only)

Floor Layout of WP Conference Room 2



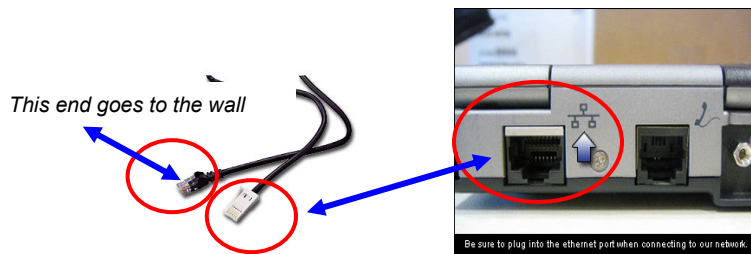
Laptop/VGA Connection

1. The VGA cable shown below on the left connects to the port found at the back of the laptop. The other end should be plugged to the VGA cable connections at the wall.



Laptop/Network Connection:

1. Plug one end of the network cable to the network data port (located on the wall). The other end should be plugged into the laptop's data port.

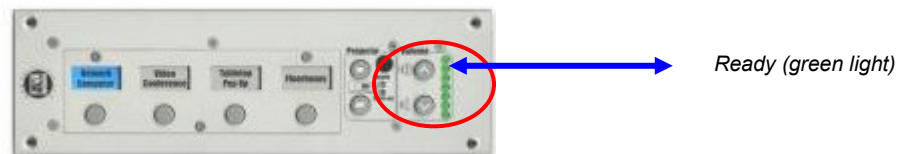


2. Connect the power cord from the laptop to the power outlet on the wall. Turn on the laptop.



Smart Panel Control Box

1. The Smart Panel Control Box is located on the left side of the white projector screen. Press the Projector's On button and wait until the green Ready light is lit.



2. If you're using the VGA cable (VGA cable 1) from the panel control box, press the Wall plate button and wait until it lit.

Note: At this point, you will see on the projector screen, "LCD Multimedia Projector. No input is detected on RGB2."



3. If you're using the VGA cable (VGA cable 2) from the wall, press the Laptop button then the display light is lit.

Note: This time, you will see on the projector screen, "LCD Multimedia Projector. No input is detected on RGB1."



4. Once the green light indicates Ready and the laptop has been turned on, your computer screen should now be projected on the projector screen. If not, press Fn and F8 keys at the same time (this works for Dell computer).

5. After using the laptop and projector, make sure to log off from your laptop and turn off the Smart Panel Control Box.



Projector Power Off Button